

Small Footprint, Big Performance!

TEMPEFF

DUAL CORE®

RGSP-K ENERGY RECOVERY

Residential, Commercial and Light Industrial Applications

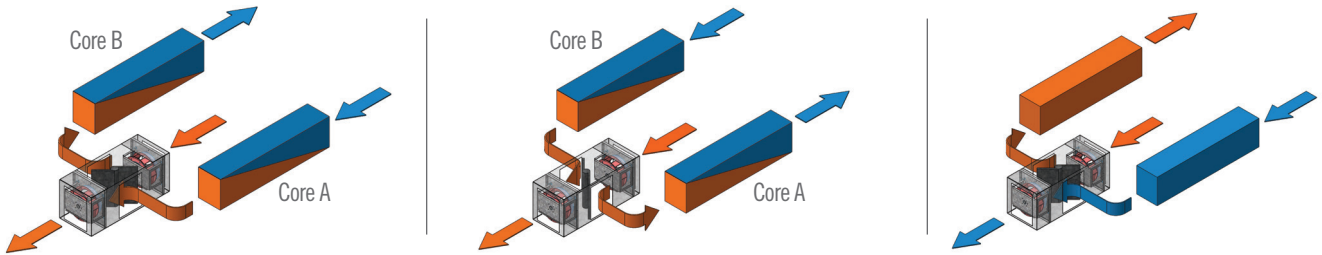
Fits even the most compact layouts, while still offering up to 92% sensible and 70% latent heat recovery in winter without the need for a defrost strategy.



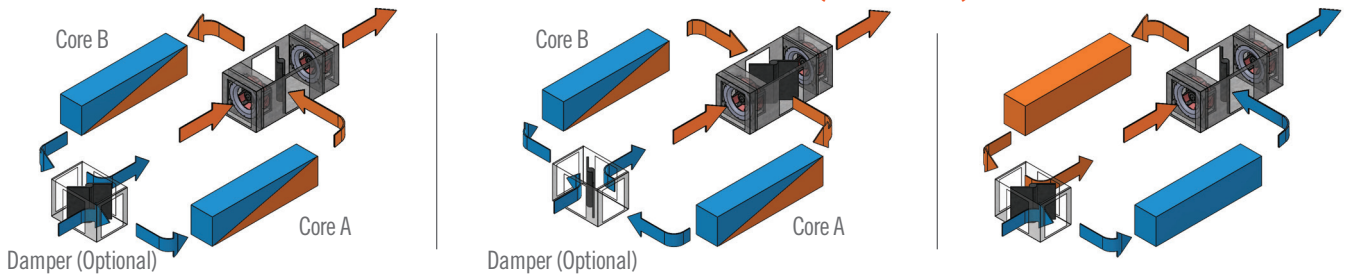
At Tempeff, we have a passion for creating world-class energy recovery solutions for the HVAC market, driving us to continually seek technological advancements, while recognizing unique needs. Tempeff's customized RGSP-K units showcase our innovative DualCore® energy recovery technology, for when you need something small yet mighty for those tight and challenging spaces. Tempeff's RGSP-K configured units complete with our DualCore® technology, brings the ability to fit even the most compact layouts, while still offering up to 92% sensible and 70% latent heat recovery in winter without the need for a defrost strategy. Due to its inherent design, our DualCore® technology does not give frost the opportunity to build up, and instead results in constant energy recovery day in and day out.

RGSP-K ENERGY RECOVERY OPERATION

Basic Unit



Dedicated Pathway Unit (Optional)



Cycling for Recovery Phase I

When energy recovery is called for, the dampers position so that Energy Core A will add energy to the supply air stream, heating up the air. Simultaneously, Energy Core B is absorbing energy from the exhaust air stream.

Cycling for Recovery Phase 2

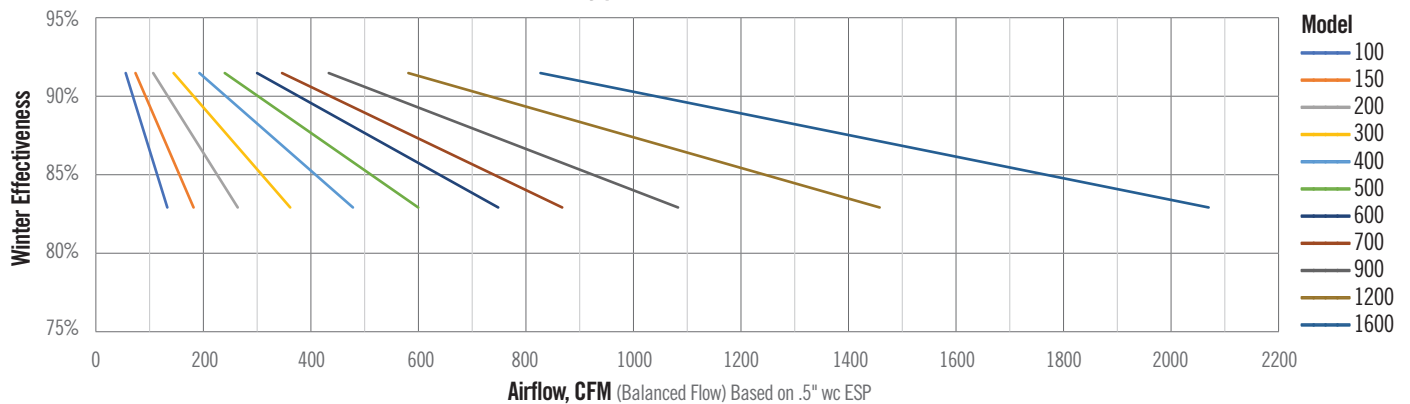
After 60 seconds, the dampers reposition. Now Energy Core B is adding the energy it reclaimed in Phase 1 to the supply air stream, heating it up. Simultaneously, Energy Core A is "recharging" by absorbing energy from the exhaust air stream. Phase 1 and Phase 2 will alternate every 60 seconds, constantly delivering extremely high energy recovery regardless of outdoor air temperatures.

Free Cooling

If exhaust air and supply air are above set point, the RGSP-K unit will revert to Free Cooling Mode. No energy recovery is taking place. Damper will switch every three hours to clean core faces.

RGSP-K PERFORMANCE

RGSP Type K Performance Chart



Model	100	150	200	300	400	500	600	700	900	1200	1600
Min. CFM	52	71	103	142	189	237	297	344	431	581	827
Max. CFM	129	178	258	355	474	592	743	861	1076	1453	2067

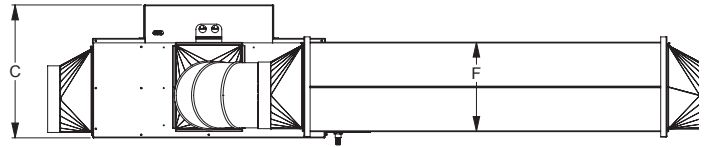
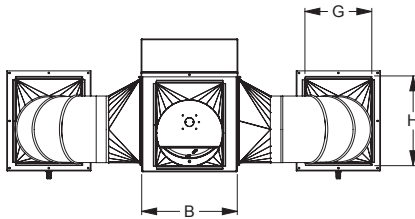
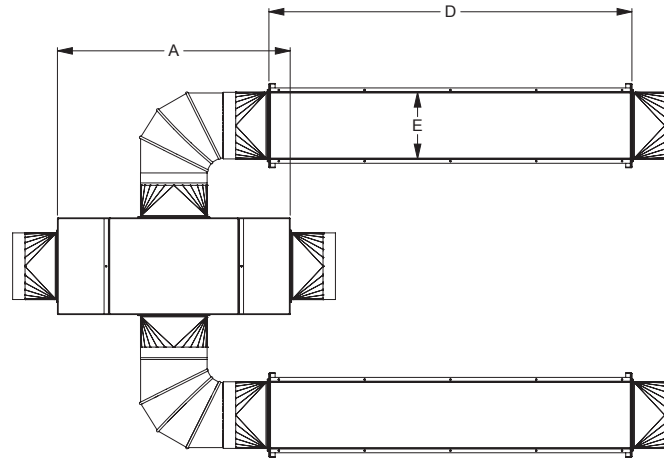
TEMPEFF

DUAL CORE®

RGSP-K SIZING

Model	A	B	C	D	E	F	G	H	I
100	29 3/4"	14"	17 3/4"	45 3/8"	10 1/2"	8 1/2"	5 1/4"	7 1/4"	137 lbs
150	29 3/4"	14"	17 3/4"	45 3/8"	10 1/2"	10 1/4"	6 1/4"	8 1/4"	155 lbs
200	30 5/8"	14 3/8"	18 1/4"	45 3/8"	10 1/2"	13 1/4"	8 1/4"	10 1/4"	185 lbs
300	32 5/8"	14 3/8"	18 1/4"	45 1/2"	10 1/2"	16 3/4"	8 1/4"	10 1/4"	220 lbs
400	36 5/8"	17 3/4"	21 5/8"	45 3/8"	18 3/8"	12 1/4"	10 1/4"	12 1/4"	287 lbs
500	40 3/4"	17 3/4"	21 5/8"	47"	18 3/8"	14 1/2"	10 1/4"	12 1/4"	334 lbs
600	40 3/4"	17 3/4"	24"	45 3/8"	18 3/8"	17 3/8"	12 1/4"	14 1/4"	383 lbs
700	40 3/4"	17 3/4"	24"	45 3/8"	18 3/8"	19 1/2"	12 1/4"	14 1/4"	420 lbs
900	44 1/4"	17 3/4"	39 1/4"	46 1/4"	18 3/8"	23 1/2"	14 1/4"	16 1/4"	552 lbs
1200	46"	19 1/8"	39 1/4"	49"	26 1/4"	21 1/2"	16 1/4"	18 1/4"	683 lbs
1600	50"	23 1/8"	39 1/4"	45 3/8"	26 1/4"	29"	20 1/4"	23 1/4"	887 lbs

All weights (lbs) are estimated

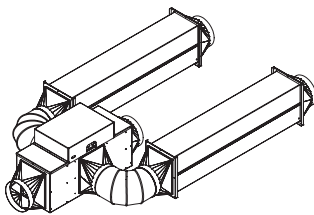


TEMPEFF

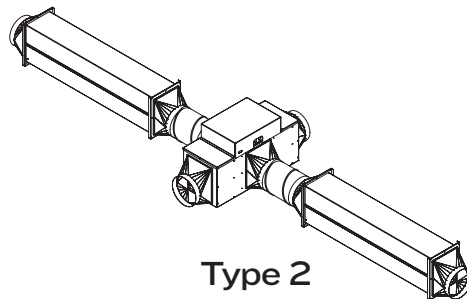
DUAL CORE®

RGSP-K CONFIGURATIONS

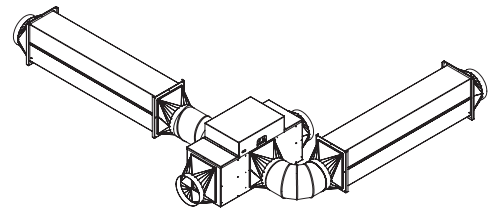
Duct Connections (Optional)



Type 1

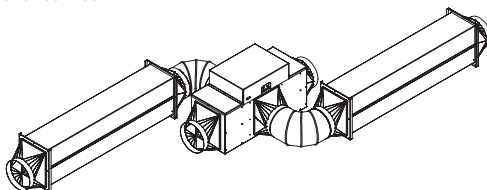


Type 2

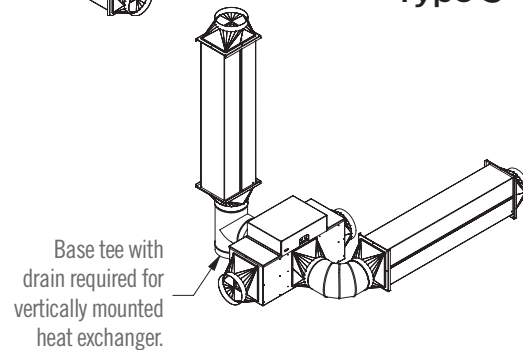


Type 3

Note: For ceiling mount, the damper section can be inverted to allow access for service.



Type 4



Base tee with drain required for vertically mounted heat exchanger.

Type 5

TEMPEFF

DUAL CORE®

RGSP-K ENERGY RECOVERY

Why Offer RGSP-K DualCore® Energy Recovery Units?

At Tempeff, we believe in challenging the status quo, driven from a desire to pursue new possibilities. We understand certain spatial designs and layouts limit opportunity for typical energy recovery solutions. Our RGSP-K units are BIG on performance even in the smallest spaces. With up to five different configurations and a myriad of additional performance features available, these units have a very small footprint while still offering powerful energy recovery.

How Does This Affect Your Bottom Line?

To truly be economically viable in offering better energy recovery solutions, we realize the need to generate efficiencies in our HVAC systems. The heat recovery efficiencies realized through the RGSP-K units complete with our DualCore® technology, result in remarkable heat recovery efficiencies of up to 92%, without the need for a defrost strategy. Being frost resistant, resulting in constant energy recovery, solves the age-old problem of energy robbing defrost strategies, while offering superior energy efficiency regardless of outdoor air temperatures.

The heat recovery efficiencies realized through the RGSP-K unit result in ongoing operational cost savings, while our simplified mechanical systems lower long-term maintenance costs.

RGSP-K Performance Features

Feature	Base Unit	Optional
High-efficiency dual core exchanger	X	
120Vac plenum fans	X	
Adjustable 2 speeds	X	
VAV fan control based on 0-10 vdc speed reference	X	
High-efficiency ECM motors		X
Supply & exhaust temp sensors for free cooling		X
Dedicated path damper		X
Bathroom timers/boost switch		X
Dehumidistat		X
Supply air filter		X
Drain kit		X
Duct connection kit		X
Insulation kit		X
Mounting kit		X
Low Limit Switch		X
208-240 3Kva Transformer (Shipped Loose)		X

The Tempeff Experience

We love to serve, and serve well, priding ourselves on being easy to do business with. We aspire to this principle in our relations with a positive, “can-do” attitude, while placing a priority on being responsive. Everyone at Tempeff is either directly helping a customer with a Tempeff solution, or assisting someone who is. At Tempeff, we care.

Find Out More!

Learn more about how Tempeff’s RGSP-K and DualCore® solution offer a respectable payback for their investment, while solving unique building and mechanical design challenges. Looking for a Tempeff rep? We’ll locate a rep in your area today!



Looking to Turn Up the Heat Even Higher?

Ask us how Tempeff’s NEW DualCorePlus™ technology can get you there with up to an incredible 95% heat recovery and summer latent heat recovery!

Locate Your Local Tempeff Advisor

Guaranteed 24 Hour Response Time!

☎ 1.204.783.1902 ✉ sales@tempeff.com

www.tempeff.com

TEMPEFF